

Model# 0047-TA

Two Handle Wallmount Kitchen Faucet

FEATURES & SPECIFICATIONS

- Canopy Handles
- 6" Tube Swivel Spout
- 1/2-14 NPT Male Thread
- Replaceable Seats
- 2-Hole 7-7/8" to 8-1/8" Installation
- 1.5 GPM Flow Rate
- 1.5 GPM Flow Rate

FINISHES

- PC Polished Chrome

STANDARDS

- ASME A112.18.1
- ANSI / NSF 61, SECTION 9
- CUPC / IAPMO LISTED
- ANSI A117.1 / ADA COMPLIANT
- CONTAINS NO MORE THAN 0.25% WEIGHTED AVERAGE LEAD CONTENT



FLOW

- 1.5 GPM Flow Rate

WARRANTY

- Lifetime Limited Warranty
- Lifetime Residential Warranty
- 5 Year Commercial Warranty

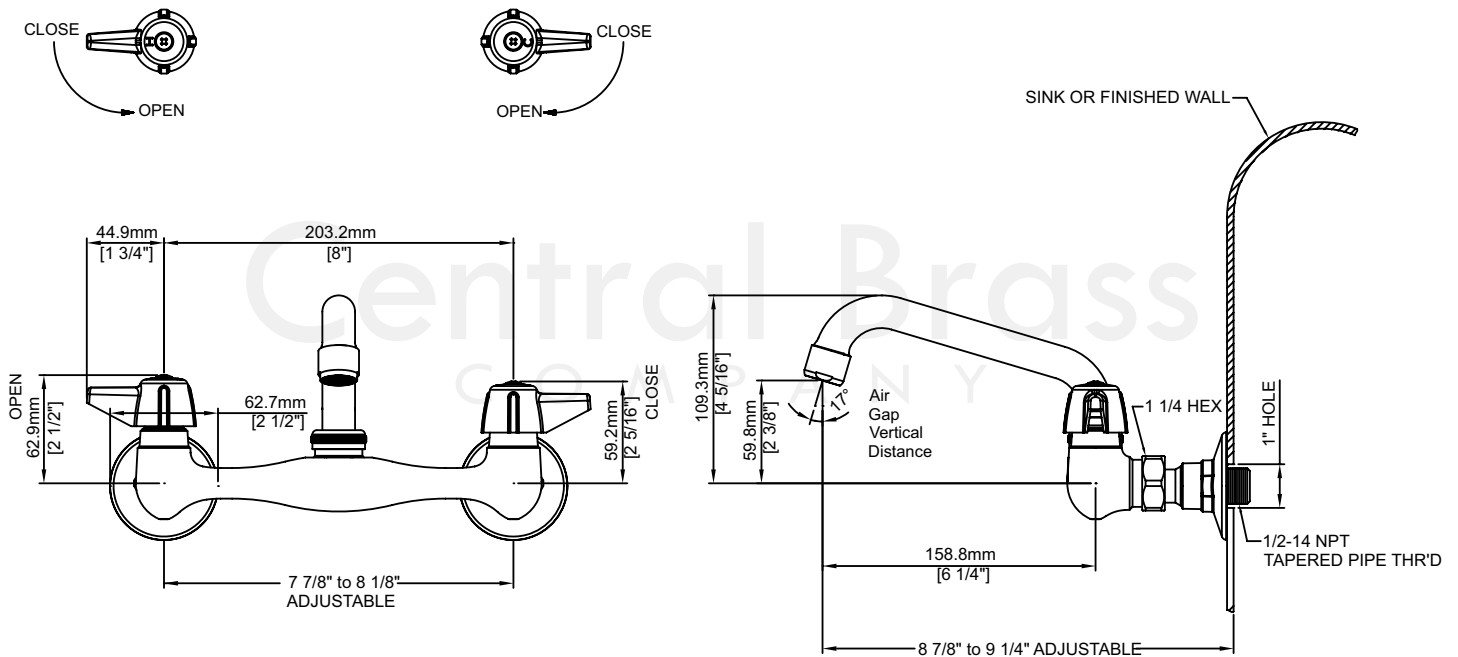
Job Name _____ Date _____
Model Specified _____ QTY _____
Customer/Wholesaler _____
Contractor _____
Architect/Engineer _____
Submitted as Shown _____
Submitted w/ Variations _____

0047-TA/REV. 11 2016

Product Specifications subject to change without notice

Model# 0047-TA

Two Handle Wallmount Kitchen Faucet



0047-TA/REV. 11 2016

Product Specifications subject to change without notice